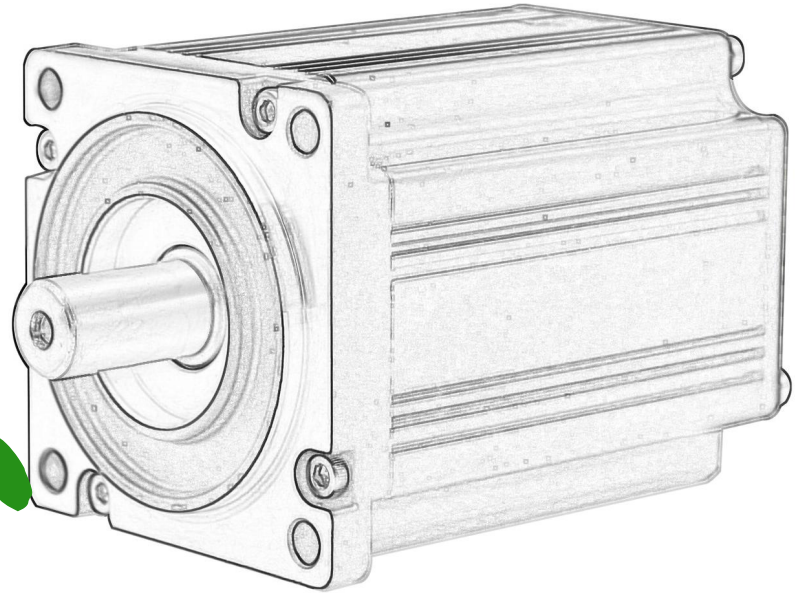


HONLITE

东弘



機電

HONLITE

M

37 Years of Motor Service Manufacturing

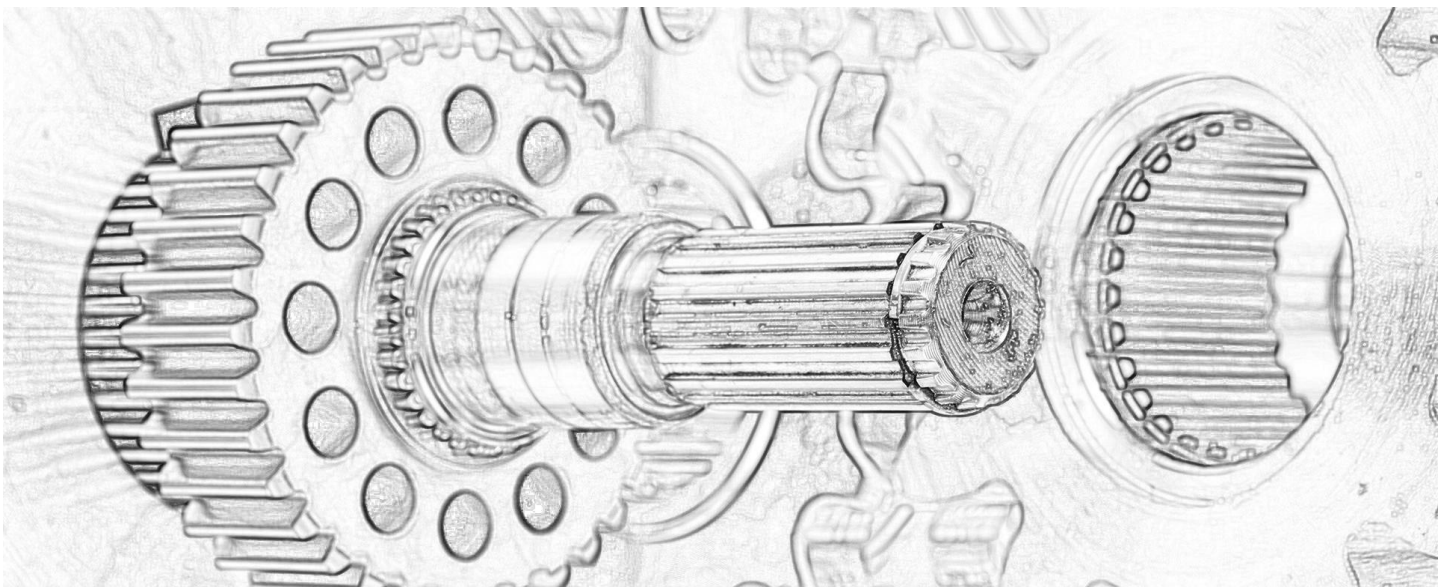
*Mechanical-electric*

5. Consulting service hotline: Watson Wu 86-13450675746 [watson@honlite.com.cn](mailto:watson@honlite.com.cn)

# 目錄

# CONTENT

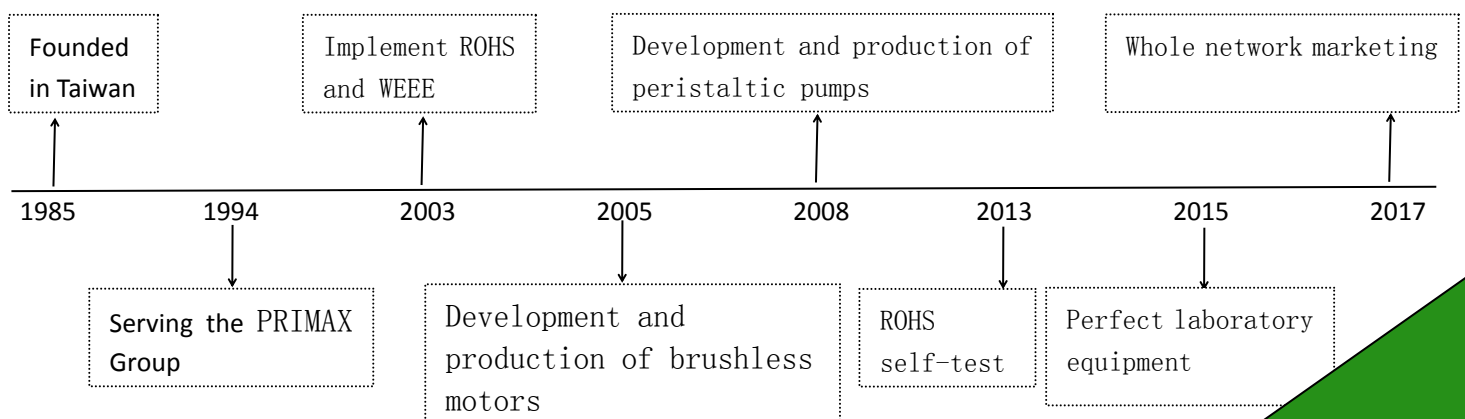
- Company Profile • • • • • P3
- Company Structure • • • • • P4
- Manufacturing Advantage • • • P5
- Quality Assurance • • • • • P6
- Product preview • • • • • P7
- 齒輪箱馬達-Gearbox Motor • • P8
- 無刷電機-Brushless Motor • • P9
- 直流電機-DC Motor • • • • P10
- 感應電機-Induction Motor • • P11
- 串激/蔽极马达/蠕動泵 • • • • P12
- Universal Motor/Shaded Pole Motor/Peristaltic Pump
- Cooperative customers • • • • P13
- Applications • • • • • P14-16





Dongguan Dunhung Electromechanical Co., Ltd. is a Taiwan-funded motor factory with 37 years of service and manufacturing experience, specializing in R&D, customization, manufacturing and sales of motor products. The main production motors are **Gearebox Motors**, **Brushless Motors**, single-phase Universal Motors, single-phase Asynchronous Motors, **AC Induction Motors**, shaded-pole motors, **DC brushed Motors**, peristaltic pumps, etc. Widely used in office equipment such as shredders, gluing machines, punching machines, ticket machines, etc. Household appliances such as slow grinders, coffee machines, cooking machines; fitness equipment such as massagers and massage chairs; high and low speed centrifuges, magnetic Laboratory equipment such as mixers and separators, ventilators, medical equipment, automobiles, construction, electric power, petrochemical and other industries. It has a 7,000-square-meter production workshop, intelligent and precise production equipment, a testing system that meets international testing standards, and a professional senior R&D and manufacturing team.

### Honlite Development History







# Company Structure



Premise

工廠面積

7000 m<sup>2</sup>

Capital

註冊資本額

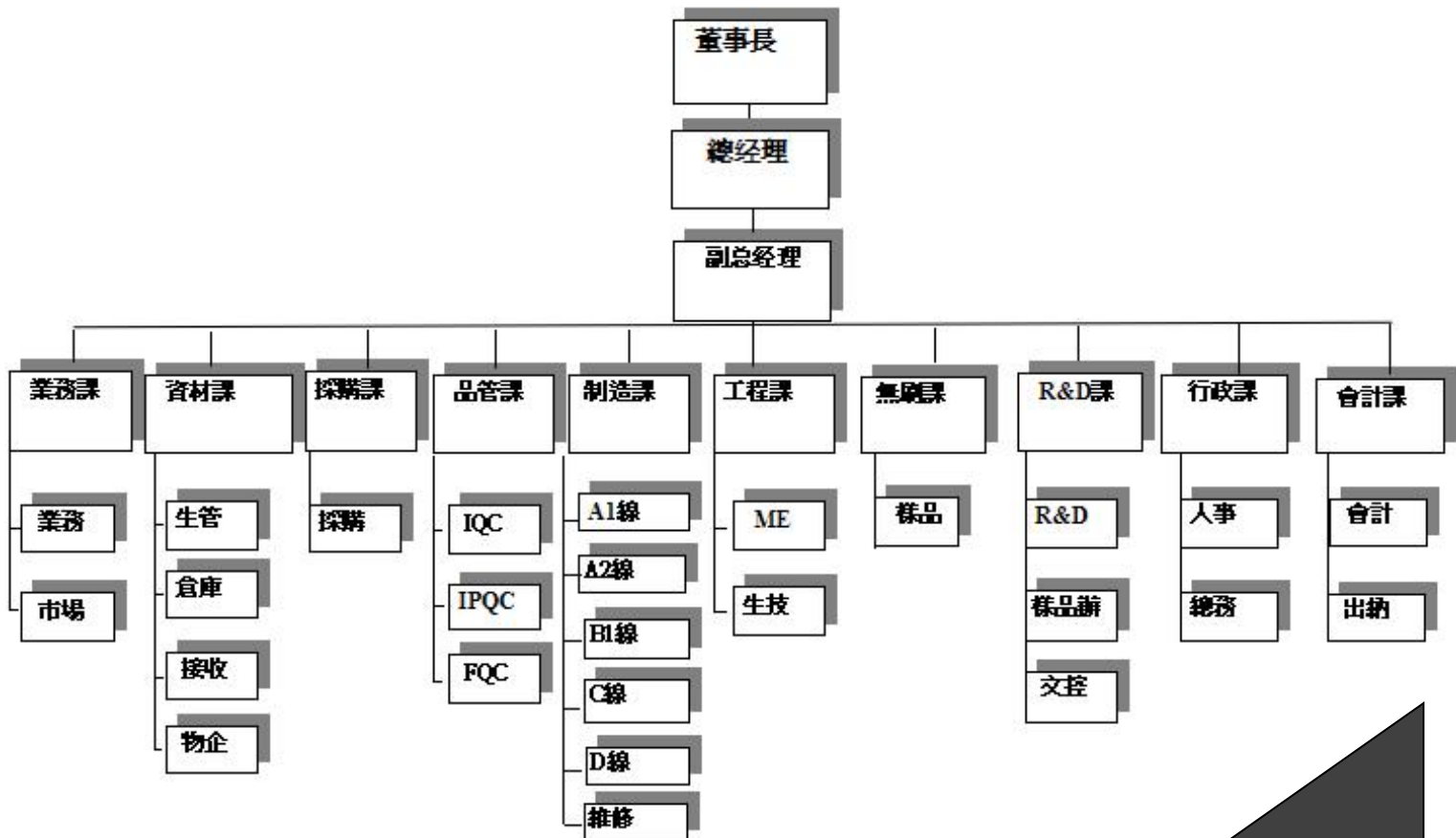
HKD 6.02 million

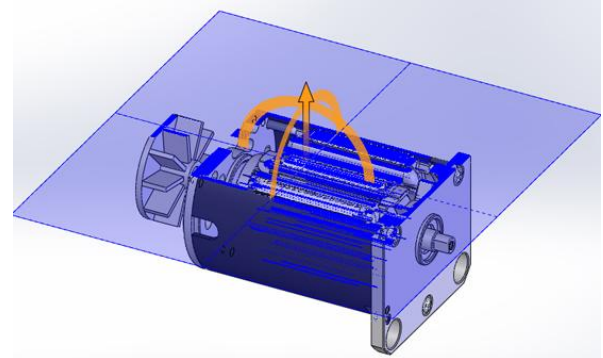
Bobbin parts

產能

200,000 units/Month

New machine development 新機種開發 30 models/year





專業化隊伍，平均超過 10 年經驗的 R&D 團隊。  
Professional team, Over 10 years experience of R&D

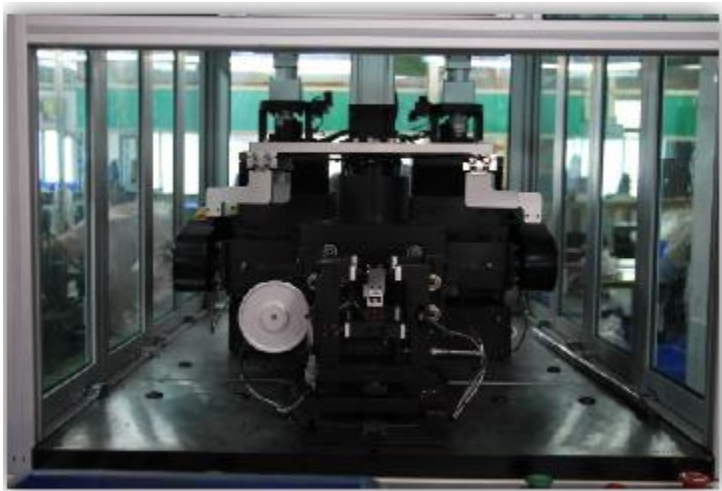
### 雙飛叉繞線機

Double fly fork winding machine



### 全自動平衡機

Automatic balancing machine



### 電機綜合性能測試系統

Motor comprehensive performance test system



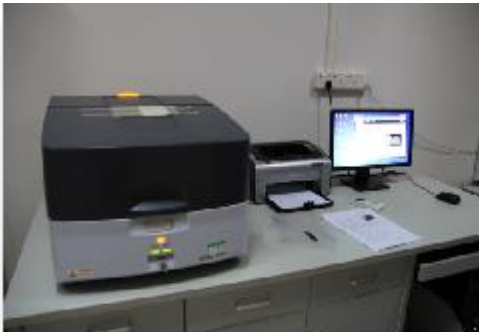




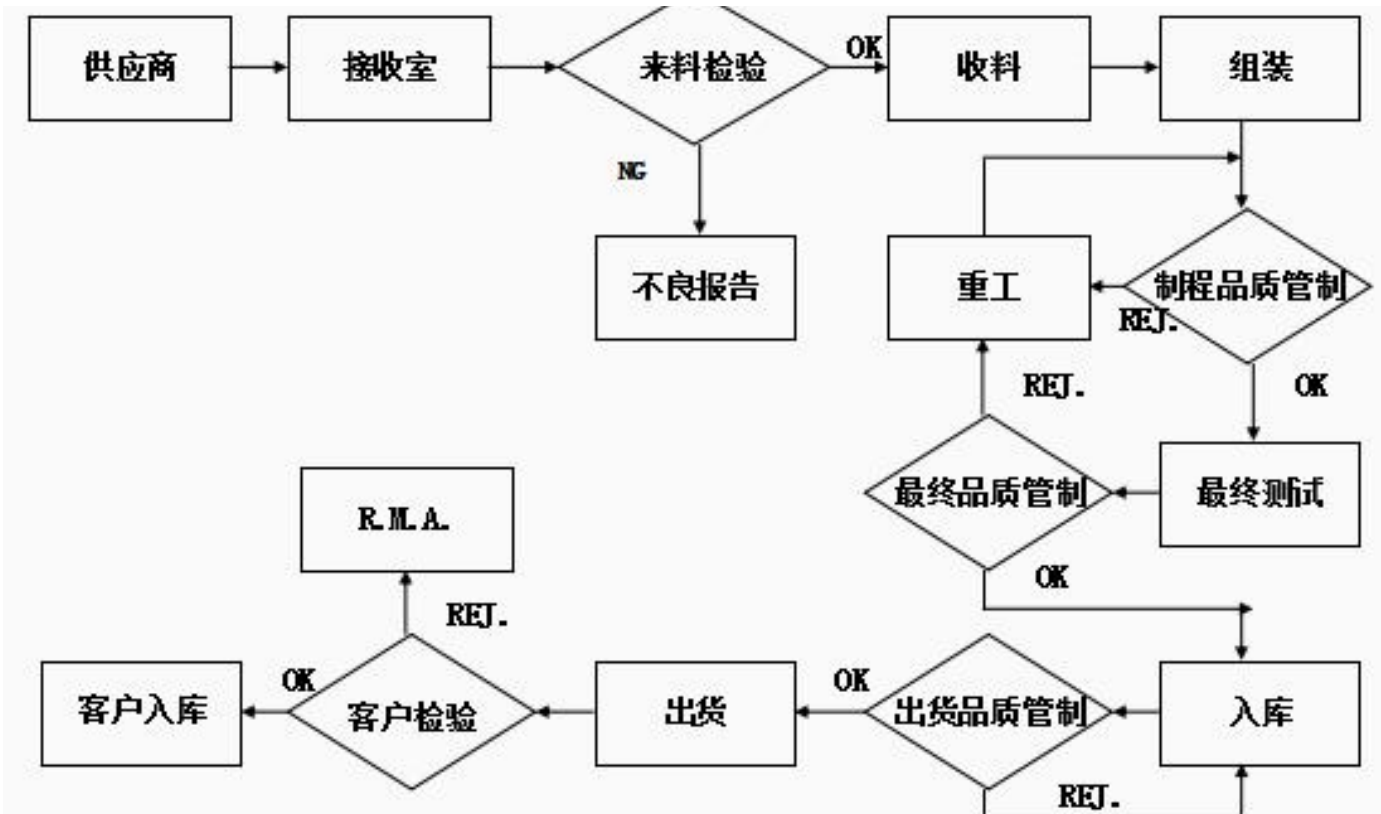
# Quality Assurance



\* Perfect and precise testing



\* Strict and complete testing system



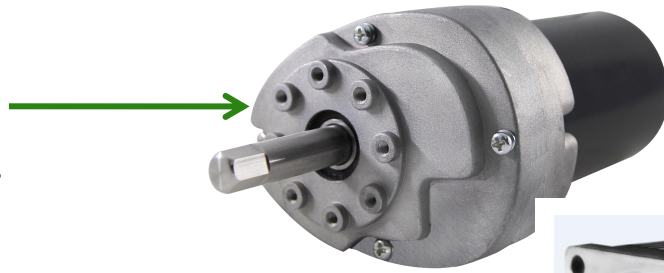
\* Passed quality system certification ISO 9001:2015/CCC Certificates/CE/UL File



Product preview

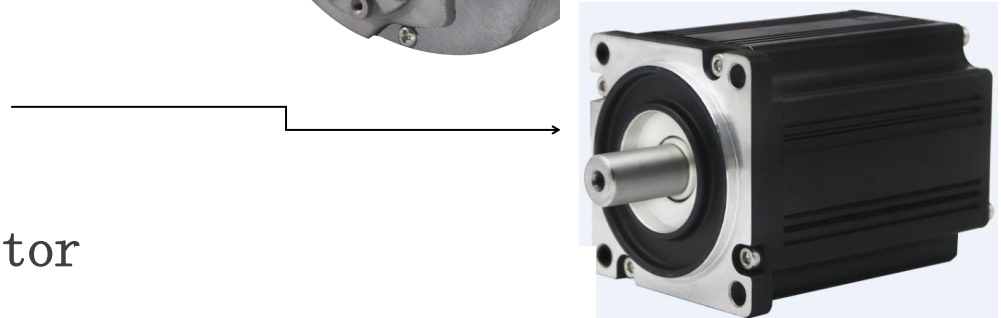


齒輪箱馬達



Gearbox Motor

無刷電機



Brushless Motor

串激馬達



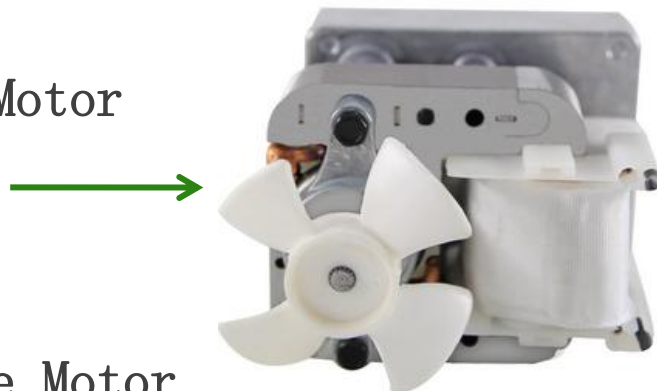
Universal Motor

感應電機



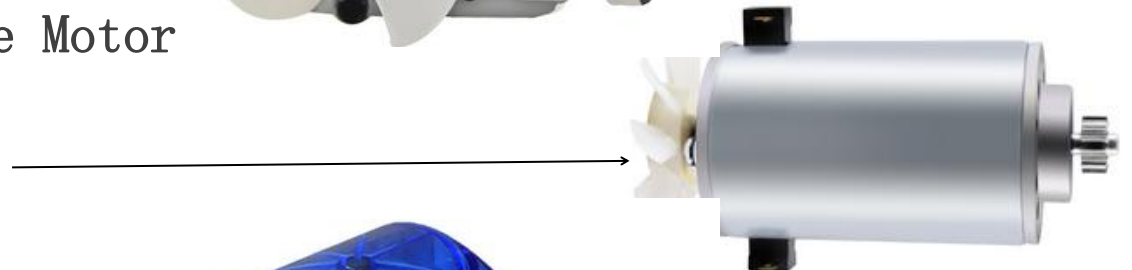
Induction Motor

蔽極馬達



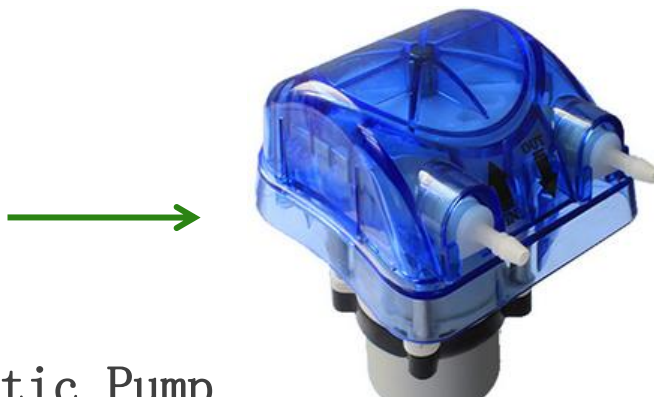
Shaded pole Motor

直流電機



DC Motor

蠕動泵



Peristaltic Pump

01



DC1617+G series

02



DC29+G series

03



DC 44+G series

04



D4449+G series

05



D53+G series

06



AC 60+G series

07



U70+G series

08



BLDC86+G series

09



AC 90+G series

Applicable to all kinds of household and commercial appliances, office equipment, factory production machinery and equipment, etc. The products are for reference only, performance parameters, size functions can be customized, Welcome to visit the factory for inspection.

5. Consulting service hotline: Watson Wu 86-13450675746 [watson@honlite.com.cn](mailto:watson@honlite.com.cn)





It is suitable for all kinds of household appliances, laboratory equipment, medical medical equipment, etc. The products are for reference only. The performance parameters and size functions can be customized. Welcome to visit the factory for inspection.





01



D29 series

02



D29 series

03



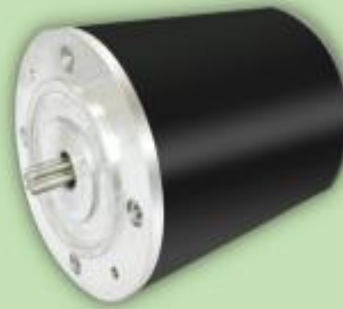
D34 series

04



D4436 series

05



D5325 series

06



D5340 series

It is suitable for all kinds of household appliances, laboratory equipment, daily life furniture, etc. The products are for reference only. The performance parameters and size functions can be customized. Welcome to visit the factory for inspection.

01



C45 series

02



C70 series

03



C82 series

04



C94 series

05



C110 series

06



C140 series

07



C82 series

08



C82 series

09



C125 series

It is suitable for all kinds of household and commercial kitchen appliances, laboratory equipment, daily life furniture, etc. The products are for reference only, and the performance parameters and size functions can be customized. Welcome to visit the factory for inspection.

5. Consulting service hotline: Watson Wu 86-13450675746 [watson@honlite.com.cn](mailto:watson@honlite.com.cn)



串激馬達-Universal Motor

01



5420 series

02



5425 series

03



95 series

蔽/單極馬達-Shaded pole Motor

01



55 series

02



60 series

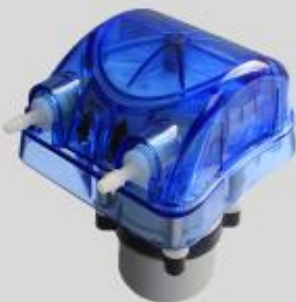
03



63 series

蠕動泵-Peristaltic Pump

01



外转无刷series

02



步进series

03



步进series

12  
Design  
Patents



10  
Model  
Patents



Serve more customers and provide more satisfactory motors



# Product Application Field

## -Smart Home Kitchen Appliances



冰沙機電機

Smoothie Machine Motor



垃圾處理器電機

Garbage Disposer AC Motor



榨汁機電機

Food Processor Motor



食物處理器電機

Food/Meat Grinder Motor



豆漿機電機

Soy milk Machine Motor



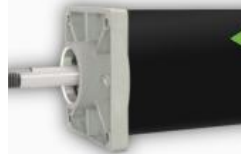
磨豆咖啡機電機

Grinding Coffee Machine Motor



破壁機電機

Wall Breaker Motor



垃圾处理器電機

Garbage Disposer DC Motor







離心機電機

Centrifuge Motor



懸臂攪拌器電機

Cantilever Agitator Motor



反應釜電機

Reactor Motor



攪拌機電機

Mixer Motor



Office Equipment



裝訂機電機

Binding Machine Motor



過膠機電機

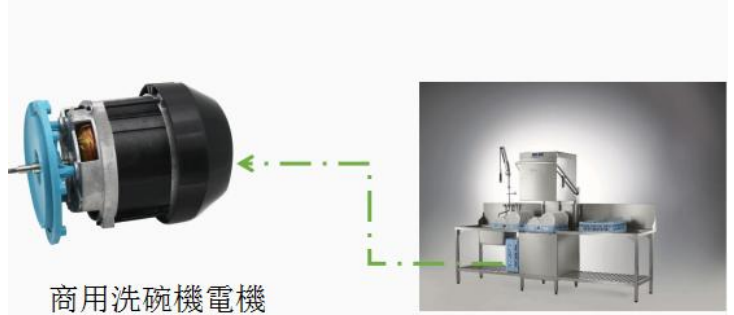
Glue Machine Motor



碎紙機電機

Shredder Motor





Commercial Coffee Machine Motors

Commercial Dishwasher Motors

## 東莞東弘機電有限公司

**Honlite Industrial Co.,Ltd**

TEL/諮詢熱線: 86-0769-86637398- 223

FAX/傳真: 86-0769-86638487

Email/郵箱: [watson@honlite.com.cn](mailto:watson@honlite.com.cn)

ADD/地址: 广东省东莞市石碣镇刘屋村和平路 10 号

LIU WU INDUSTRIAL ZONE, SHEK KIT TOWN, DONG GUAN CITY, GUANG DONG, CHINA



Business Consulting WeChat

Alibaba store

5. Consulting service hotline: Watson Wu 86-13450675746 [watson@honlite.com.cn](mailto:watson@honlite.com.cn)